



HL407UPB LCD Monitor

User's Manual

HANNspree, INC.
www.hannspree.com

Before operating the monitor, please read this manual thoroughly. This manual should be retained for future reference.

FCC Class B Radio Frequency Interference Statement

This equipment has been tested and found to comply with the limits for a Class B digital device, pursuant to Part 15 of the FCC Rules. These limits are designed to provide reasonable protection against harmful interference in a residential installation. This equipment generates, uses and can radiate radio frequency energy, and if not installed and used in accordance with the instructions, may cause harmful interference to radio communications. However, there is no guarantee that interference will not occur in a particular installation. If this equipment does cause harmful interference to radio or television reception, which can be determined by turning the equipment off and on, the user is encouraged to try to correct the interference by one or more of the following measures:

- Reorient or relocate the receiving antenna.
- Increase the separation between the equipment and receiver.
- Connect the equipment into an outlet on a circuit different from that to which the receiver is connected.
- Consult the dealer or an experienced radio/TV technician for help.

The device complies with Parts 15 of the FCC Rule. Operation is subject to the following two conditions:(1) this device may not cause harmful interference;and (2) this device must accept any interference received, including interference that may cause undesired operations.

CANADA

This Class B digital apparatus meets all requirements of the Canadian Interference-Causing Equipment Regulation.

【Optional, depend on selected model】



This device complies with requirement of EMC directive 2014/30/EU with regard to Electromagnetic Compatibility, and 2014/35/EU and 93/68/EEC with regard to Low Voltage directive.

【Optional, depend on selected model】

Socket-outlet shall be near the equipment and shall be accessible.

Trademark Notice:



HANNspree products incorporate High-Definition Multimedia Interface (HDMI™) technology.

The terms HDMI and HDMI High-Definition Multimedia Interface, and the HDMI Logo are trademarks or registered trademarks of HDMI Licensing LLC in the United States and other countries.

RECYCLING INFORMATION

We, the **HANNspree** care very much about our environment protection strategy and firmly believe that it helps us have healthier earth via appropriate treatment and recycling of industrial technology devices at the end-of-life.

These devices contain recyclable materials, which can be re-decomposed and re-integrated into brand-new marvels. On the contrary, other material can be classified to hazardous and poisoned substances. We strongly encourage you to contact the provided information to recycle this product.

For more information, please visit
<http://www.hannspree.eu/>

TABLE OF CONTENTS

SAFETY NOTICE.....	5
PRECAUTIONS.....	5
SPECIAL NOTES ON LCD MONITORS.....	6
BEFORE YOU OPERATE THE MONITOR.....	7
FEATURES.....	7
CHECKING THE CONTENTS OF THE PACKAGE.....	7
INSTALLATION INSTRUCTIONS.....	8
POWER.....	8
SETTING THE MONITOR ON THE WALL.....	9
MAKING CONNECTIONS.....	10
OPERATING INSTRUCTIONS.....	11
GENERAL INSTRUCTIONS.....	11
REMOTE CONTROL.....	13
HOW TO ADJUST A SETTINGS.....	14
PLUG AND PLAY.....	16
TECHNICAL SUPPORT (FAQ).....	17
Q & A FOR GENERAL PROBLEMS.....	17
ERROR MESSAGE & POSSIBLE SOLUTIONS.....	19
APPENDIX.....	20
SPECIFICATIONS.....	20

SAFETY NOTICE

1. The changes or modifications not expressly approved by the party responsible for compliance could void the user's authority to operate the equipment.
2. Shielded interface cables and AC power cord, if any, must be used in order to comply with the emission limits.
3. The manufacturer is not responsible for any radio or TV interference caused by unauthorized modification to this equipment. It is the responsibilities of the user to correct such interference.
4. Only use attachments/accessories specified by the manufacturer.

WARNING:

To prevent fire or shock hazard, do not expose the monitor to rain or moisture. Dangerously high voltages are present inside the monitor. Do not open the cabinet. Refer servicing to qualified personnel only.

PRECAUTIONS

Do not use the monitor near water, e.g. near a bathtub, washbowl, kitchen sink, laundry tub, swimming pool or in a wet basement.

Do not place the monitor on an unstable cart, stand, or table. If the monitor falls, it can injure a person and cause serious damage to the appliance. Use only a cart or stand recommended by the manufacturer or sold with the monitor. If you mount the monitor on a wall or shelf, use a mounting kit approved by the manufacturer and follow the kit instructions.

Slots and openings in the back and bottom of the cabinet are provided for ventilation. To ensure reliable operation of the monitor and to protect it from overheating, be sure these openings are not blocked or covered. Do not place the monitor on a bed, sofa, rug, or similar surface. Do not place the monitor near or over a radiator or heat register. Do not place the monitor in a bookcase or cabinet unless proper ventilation is provided.

The monitor should be operated only from the type of power source indicated on the label. If you are not sure of the type of power supplied to your home, consult your dealer or local power company.

Unplug the unit during a lightning storm or when it will not be used for long period of time. This will protect the monitor from damage due to power surges.

Do not overload power strips and extension cords. Overloading can result in fire or electric shock. Never push any object into the slot on the monitor cabinet. It could short circuit parts causing a fire or electric shock. Never spill liquids on the monitor.

Do not attempt to service the monitor by yourself; opening or removing covers can expose you to dangerous voltages and other hazards. Please refer all servicing to qualified service personnel.

The wall socket shall be installed near the equipment and shall be easily accessible.

SPECIAL NOTES ON LCD MONITORS

The following symptoms are normal with LCD monitor and do not indicate a problem.

Due to the nature of the fluorescent light, the screen may flicker during initial use. Turn off the Power Switch and then turn it on again to make sure the flicker disappears.

You may find slightly uneven brightness on the screen depending on the desktop pattern you use. The LCD screen has effective pixels of 99.99% or more. It may include blemishes of 0.01% or less such as a missing pixel or a pixel lit all of the time.

Due to the nature of the LCD screen, an afterimage of the previous screen may remain after switching the image, when the same image is displayed for hours. In this case, the screen is recovered slowly by changing the image or turning off the Power Switch for hours.

If the screen suddenly flashes erratically or the backlighting fails, please contact your dealer or service center for repair. Do not attempt to repair the monitor yourself.

BEFORE YOU OPERATE THE MONITOR

FEATURES

- 100,3cm / 39.5" Wide Screen TFT Color LCD Monitor
- GP Green Product
- Ergonomic Design
- Space Saving, Compact Case Design

CHECKING THE CONTENTS OF THE PACKAGE

The product package should include the following items:

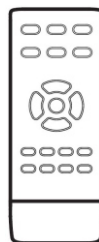
LCD Monitor



Cables and User manual



VGA Cable



Remote Control



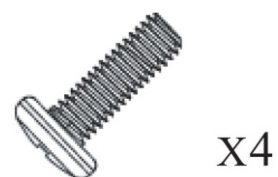
Battery



Warranty Card



Quick Start Guide



Screws

INSTALLATION INSTRUCTIONS

INSTALL & REMOVE

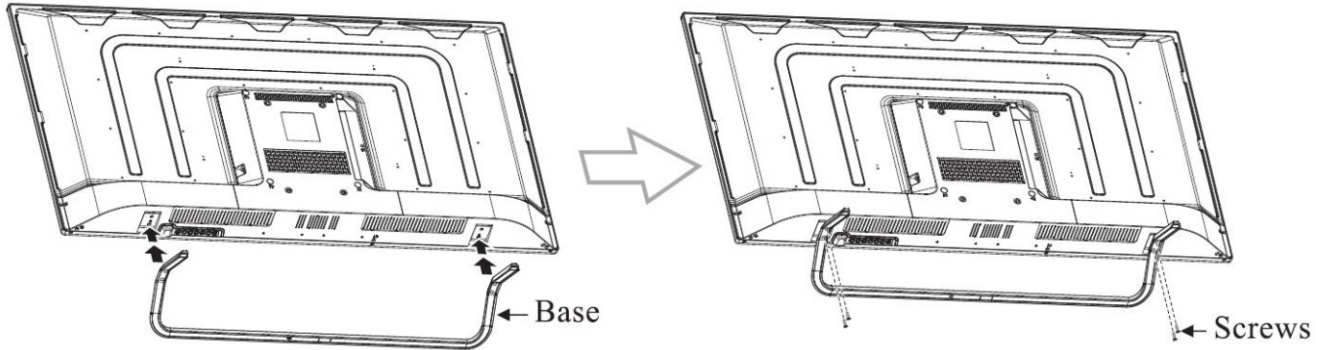


Figure.1. Installing and Removing the Base

Put machine flat on working table. Install base in machine bottom of back cover as arrow direction, and make the positioning hole on top of V cover of base aligned with the positioning raised stand on the bottom of machine back cover, then fasten screw.(The base has to be adjusted to figure state, otherwise base cannot be installed in.)

Remark: The actual base and machine appearance may be different from pictures; please refer to the actual device.

POWER

POWER SOURCE:

1. Make sure that the power cord is the correct type required in your area.
2. This LCD monitor has an Internal universal power supply that allows operation in either 100/120V AC or 220/240V AC voltage area (No user adjustment is required.)

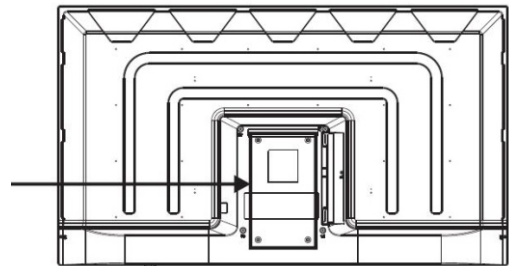
SETTING THE MONITOR ON THE WALL

DISSEMBLING THE STAND BASE:

1. Disconnect all the cables and cords from the Monitor to prevent breakage.
2. Carefully place the Monitor face down on a soft and flat surface (blanket, foam, cloth, etc) to prevent any damage to the Monitor.
3. Remove the screws so that the stand base can be removed.
4. Gently remove the stand base.

WALL MOUNTING THE MONITOR:

1. Purchase a VESA compatible wall bracket:
VESA 100×200, 2 holes, M4x8mm, 2 holes, M4x16mm.
2. Locate your ideal Monitor position on the wall.
3. Fix the wall bracket firmly on the wall.
4. Secure the Monitor to the bracket using the 4 mount holes on the back and center of the Monitor.



Note:

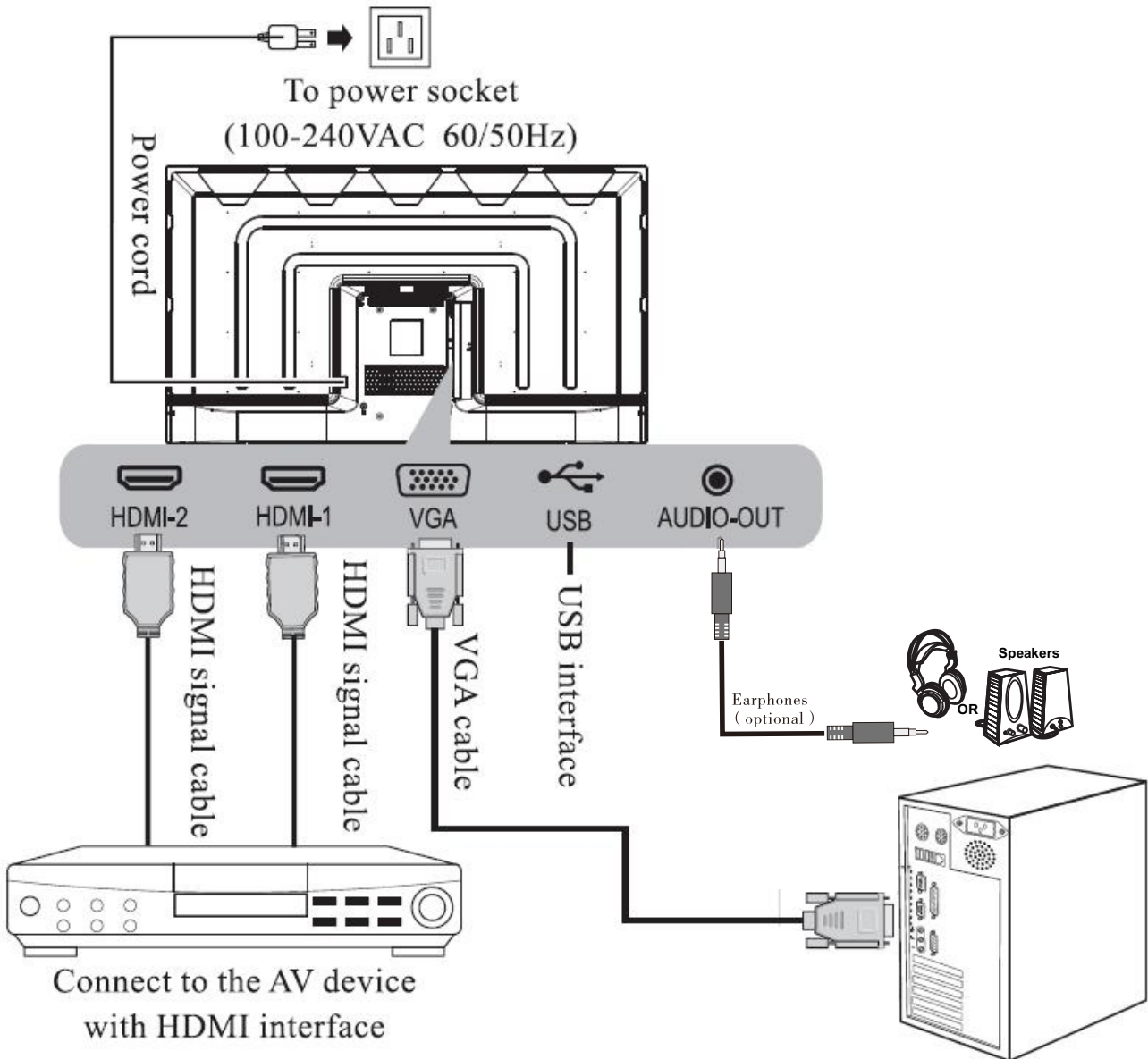
- Please read the instructions of your specific wall bracket to properly wall mount the Monitor.
- The pitch of the mounting holes is 100mm horizontally and 200mm vertically.
- The screws type required is metric: M4x8mm and M4x16mm .
- The Monitor stand base can be screwed on a table or a hard surface using the hole on the back of the stand base.
- For use only with UL listed wall mount bracket.

**Installing the LCD Monitor requires special skill that should only be performed by qualified service personnel. Customers should not attempt to do the work themselves. HANNspree bears no responsibility for improper mounting or mounting that results in accident or injury. You can ask a qualified service personnel about using an optional bracket to mount the Monitor to the wall.*

MAKING CONNECTIONS

CONNECTING TO A PC

Turn off your computer before performing the procedure below.



Remark: The peripheral equipment and cables described in this manual should be purchased separately.

OPERATING INSTRUCTIONS

GENERAL INSTRUCTIONS

Press the power button to turn the monitor on or off. The other control buttons are located on the front panel of the monitor. By changing these settings, the picture can be adjusted to your personal preferences.

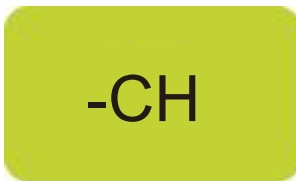
The power cord should be connected.

Connect the Signal cable from the monitor to the VGA card.

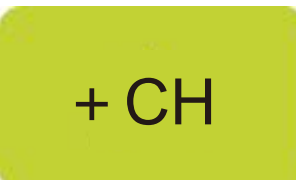
Press the power button to turn on the monitor. The power indicator will light off.



Press this key to enter the menu of signal source and choose signal source.



Press the key to select functions.



Press the key to select functions.



Press these two keys to add or reduce volume. In OSD menu, press the two keys to adjust the analog value of selected item, which have the same functions as ◀/▶ key on the remote control.



Press this key to enter main menu.



To switch the Monitor on or back to standby.

NOTES:

Do not install the monitor in a location near heat sources such as radiators or air ducts, or in a place subject to direct sunlight, or excessive dust or mechanical vibration or shock.

Save the original shipping box and packing materials, as they will come in handy if you ever have to ship your monitor.

For maximum protection, repackage your monitor as it was originally packed at the factory.

To keep the monitor looking new, periodically clean it with a soft cloth. Stubborn stains may be removed with a cloth lightly dampened with a mild detergent solution. Never use strong solvents such as thinner, benzene, or abrasive cleaners, since these will damage the cabinet. As a safety precaution, always unplug the monitor before cleaning it.

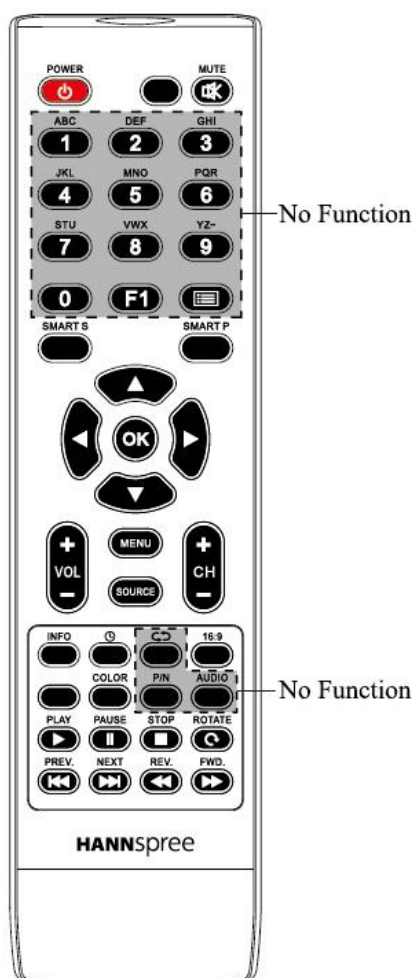
REMOTE CONTROL

Installing battery

Remove the battery cover, and insert two AAA(1.5V) batteries; make sure that the polarity of the battery is consistent with the marks” +/-“ in the battery slot.

Precautions of remote control usage

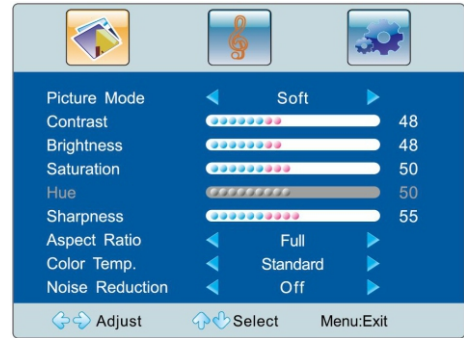
- Point the remote control to the receiver window. The objects between remote control and the receiver window may disturb the normal operation.
- Keep the remote control away from strong vibration. In addition, do not set or put the remote control in direct sunshine, which may result in deformation of the remote control.
- The remote control may be invalid if the receiver window is in direct sunshine or strong light; in this case ,please adjust the angle of the light or the device, or approach the remote control to the receiver window.
- The effective range of the remote control may be affected if the battery voltage is low; in this case, please replace with a new battery; if the remote control won't be used or battery voltage is too low, please take out the battery to avoid corrosion due to battery liquid leakage.
- Do not mix different types of batteries, or used and new batteries.
- Do not throw the batteries into fire, charge or break up, or charge, short circuit, disassemble, heat or burn the used batteries. Please follow the environmental protection regulations to disposal of the batteries.




HOW TO ADJUST A SETTINGS

Press “MENU” key on the remote control or on the control Panel, then the TV will display the main menu.

1. Press “◀/▶” key on the remote control or “▲ +/ ▼ -“ key on the control panel to select the adjustment sort menu, which includes 3 sorts: PICTURE , SOUND, OSD.
2. Press “▼” key on the remote control or “-CH” key on the control panel to enter the adjustment sort menu.
3. Pree “▲/▼” key on the remote control or “-CH/+CH” key on the control panel to select what is needed to adjust in sort menu.
4. Press “◀/▶” key on the remote control or “▲ +/ ▼ -“ key on the control panel to adjust the valus or setting.
5. When the main menu appears on the screen, press “MENU” key to exit ; when submenu appears on the screen, press “☐” key to return to previous menu; press “+☐” key to show the signal source selection menu, and press it again to exit from the menu.
6. In the process of menu operation, the unavailable options in current state will be in gray.
7. The menu operation in this manual uses the example in monitor state; the operation in other state are same as the monitor state.



Note : “◀”, “▶”, “▲” and “▼” key in this Manual stand for the direction cursor keys on the remote control unless specifically defined. The operating instructions in the text below are all based on keys on the remote control. Understand the keys on the panel by yourself.

 PICTURE	
PICTURE MODE	Adjust the overall effect of images: Standard , Soft , User , Bright.
CONTRAST	Adjust the overall layering of images: increase the analog value to improve the contrast and decrease the analog value to reduce the contrast(0-100).
BRIGHTNESS	Adjust the overall brightness of images: increase the analog value to improve the brightness and decrease the analog value to reduce the brightness (0-100).
SATURATION	Adjust the color depth of images: increase the analog value to improve the depth and decrease the analog value to reduce the depth (0-100).
HUE	Adjust the hue of images: increase the analog value to increase green and decrease analog value to increase purple (0-100); the hue function in only valid in NTSC system.
SHARPNESS	Adjust the sharpness of images: increase the analog value to increase the definition and decrease analog value to reduce the definition (0-100).
ASPECT RATIO	Adjust the aspect ratio: Full , 4:3 , Subtitle , Film .Add PC Mode

COLOR TEMP	Adjust the overall color temperature of images: Standard , Warm, Cool .
------------	---

NOISE REDUCTION	Set the grade of noise reduction: Middle , High, Off, Low.
-----------------	--

Remark : *The values of Contrast , Brightness, Hue , Saturation and Sharpness adjusted by the user will be saved automatically.*



SOUND

Sound Mode	Select the audio mode: Standard , Music , Movie , User .
------------	--

Treble	Adjust the treble: increase the analog value to increase the treble and decrease the analog value to reduce the treble (0-100).
--------	---

Bass	Adjust the bass: increase the analog value to increase the bass and decrease the analog value to reduce the bass (0-100).
------	---

Balance	Adjust balance degree of right&left sound track: move the analog value to left to increase the left volume; move the analog value to right to increase the right volume (L50-R50). Generally, the balance is set to 0 .
---------	---

Remark: *The value of treble and bass adjusted by the user will be saved automatically.*



OSD

OSD Language	Set the menu language: There are many language to srlect.
--------------	---

OSD Duration	Adjust duration of OSD menu:15, 30, 45, 60. Unit: second.
--------------	---

OSD Transparency	Adjust the menu transparency: increase the analog value to increase the transparency and decrease the analog value to reduce the transparency (0 -100).
------------------	---

Blue Screen	Set up whether screen turns to blue when there is no signal: On and Off.
-------------	--

Recall	Restore factory settings.
--------	---------------------------

PLUG AND PLAY

Plug & Play DDC2B Feature

This monitor is equipped with VESA DDC2B capabilities according to the VESA DDC STANDARD. It allows the monitor to inform the host system of its identity and, depending on the level of DDC used, communicate additional information about its display capabilities. The DDC2B is a bidirectional data channel based on the I²C protocol. The host can request EDID information over the DDC2B channel.

THIS MONITOR WILL APPEAR TO BE NON-FUNCTIONAL IF THERE IS NO VIDEO INPUT SIGNAL. IN ORDER FOR THIS MONITOR TO OPERATE PROPERLY, THERE MUST BE A VIDEO INPUT SIGNAL.

TECHNICAL SUPPORT (FAQ)

Q & A FOR GENERAL PROBLEMS

PROBLEM & QUESTION	POSSIBLE SOLUTION
Power LED is on	<ul style="list-style-type: none"> *Check if the Power Switch is in the ON position. *Power Cord should be connected.
No Plug & Play	<ul style="list-style-type: none"> *Check if the PC system is Plug & Play compatible. *Check if the Video Card is Plug & Play compatible. *Check if any plug pins on the VGA or HDMI connector are bent.
The display is too dark or too bright.	<ul style="list-style-type: none"> *Adjust the Contrast and Brightness Controls.
Picture bounces or a wave pattern is present in the picture	<ul style="list-style-type: none"> *Move electrical devices that may cause electrical interference.
The power LED is off but there's no video or no picture.	<ul style="list-style-type: none"> *Computer Power Switch should be in the ON position. *Computer Video Card should be snugly seated in its slot. *Make sure monitor's video cable is properly connected to the computer. *Inspect monitor's video cable and make sure none of the pins are bent. *Make sure computer is operational by hitting the CAPS LOCK key on the keyboard while observing the CAPS LOCK LED. The LED should either turn ON or OFF after hitting the CAPS LOCK key.
Missing one of the primary colors (RED, GREEN, or BLUE)	<ul style="list-style-type: none"> *Inspect the monitor's video cable and make sure that none of the pins are bent.
Screen image is not centered or sized properly.	<ul style="list-style-type: none"> * Adjust pixel frequency CLOCK and PHASE
Picture has color defects (White does not look white)	<ul style="list-style-type: none"> * Select picture mode or select color temperature.
The screen resolution needs to be adjusted	<ul style="list-style-type: none"> *Use win 2000/ME/XP Right click anywhere on desktop and select Properties>Settings>Screen Resolution. Use the silder to adjust the reslution and click Apply.
No sound is outputted from monitor's built-in speaker	<ul style="list-style-type: none"> *Make sure the sound volume adjustment can be clearly identified. *Make sure the System > Silence option in the monitor menu is on.

Addendum related to Windows 7 / Windows 8

When you encounter display problem under Windows 7/ Windows 8, you need to do the following:

1. Make sure your PC computer (Hardware requirement) can support Windows 7/ Windows 8.
2. Make sure your video card can run Windows 7/ Windows 8.
3. If your video card can support Windows 7/ Windows 8, need to install the latest Windows 7/ Windows 8 driver of your video card.

Suggest to do the following:

1. Install the latest Windows 7/ Windows 8 video driver of your video card.
2. Try to use the recommended display resolution that is supported by the monitor.
3. If the recommended display resolution is not working, try the second recommended display resolution.

	1	2
35,56cm / 14" (16:9)	1366×768@60Hz	1366×768@50Hz
39,6cm / 15.6" (16:9)	1366×768@60Hz	1366×768@75Hz
40,64cm / 16" (16:9)	1366×768@60Hz	1366×768@50Hz
43,2cm / 17" (16:10)	1440×900@60Hz	1440×900@75Hz
47cm / 18.5" (16:9)	1366×768@60Hz	1366×768@75Hz
48,3cm / 19" (5:4)	1280×1024@60Hz	1280×1024@75Hz
48,3cm / 19" (16:10)	1440×900@60Hz	1440×900@75Hz
51cm / 20" (16:9)	1600×900@60Hz	1600×900@50Hz
56cm / 22" (16:10)	1680×1050@60Hz	1680×1050@50Hz
54,6cm / 21.5" (16:9)	1920×1080@60Hz	1920×1080@50Hz
58,4cm / 23" (16:9)		
60cm / 23.6" (16:9)		
62,5cm / 24.6 (16:9)		
68,6cm / 27" (16:9)		
70cm / 27.5" (16:10)	1920×1200@60Hz	1920×1200@50Hz
100,3cm/39.5"(16:9)	1920×1080@60Hz	1920×1080@60Hz

And if you still have display problem after doing the above procedure, please visit HANNSpree support and Service Website: <http://www.hannspree.eu/en/monitors>

Windows is a registered trademark of Microsoft Corporation.

ERROR MESSAGE & POSSIBLE SOLUTIONS

- **CABLE NOT CONNECTED:**
 1. Check that the signal-cable is properly connected, if the connector is loose, tighten the connector's screws.
 2. Check the signal-cable's connection pins for damage.

- **INPUT NOT SUPPORT :**

Your computer has been set to unsuitable display mode, set the computer to display mode given in the following table.

FACTORY PRESET TIMING TABLE:

MODE	RESOLUTION	HORIZONTAL FREQUENCY (KHz)	VERTICAL FREQUENCY (Hz)
1	640×480 @60Hz	31.469	59.940
2	720x400@70Hz	31.469	70.087
3	800×600 @60Hz	37.879	60.317
4	1024×768 @60Hz	48.363	60.004
5	1280×720 @60Hz	45.000	60.000
6	1360×768 @60Hz	47.712	60.015
7	1600×900 @60Hz	55.540	59.978
8	1920×1080 @60Hz	67.500	60.000

(Video mode)

MODE	RESOLUTION
1	720×480i @60Hz
2	720×480p @60Hz
3	720×576i @50Hz
4	720×576p @50Hz
5	1280×720p @50Hz
6	1280×720p @60Hz
7	1920×1080i @50Hz
8	1920×1080i @60Hz
9	1920×1080p @50Hz
10	1920×1080p @60Hz

** We ensure that the monitor can be lighted under interlace signal mode, but we can not guarantee the image quality.

APPENDIX

SPECIFICATIONS

LCD Panel	Driving system	TFT Color LCD
	Size	100,3cm / 39.5" Diagonal
	Pixel pitch	0,45735mm(H) × 0,4494mm(V)
Video	H-Frequency	30KHz – 83KHz
	V-Frequency	56Hz – 75Hz
Display Colors		16.7M Colors
Max. Resolution		1920 × 1080 @60Hz
Plug & Play		VESA DDC2B™
Power consumption	ON Mode	55W (Typical)
	Power Saving Mode	≤ 0.5W
	OFF Mode	≤ 0.5W
Audio output		Rated Power 4.0 W rms (Per channel)
Input Terminal		VGA HDMI ×2
Maximum Screen Size		Hor. : 878mm Ver. : 485mm
Power Source		100–240V ~1.5A 50/60Hz
Environmental Considerations		Operating Temp:5° to 40°C Storage Temp.: -20° to 55°C Operating Humidity: 10% to 85%
Dimensions		1015 (W)×622(H)×150(D) mm 40 "(W)×24.5 "(H)×6 "(D)
Weight (NW)		6.5 kg

*** The above specification is subject to actual product specification and is subject to change without prior notice.

NOTES:

The Maximum Resolution will depends on the display card supporting. Related issue can refer to <http://www.hannspree.eu/en/monitors>. FAQ section.