

Register your products and get support at  
[www.philips.com/welcome](http://www.philips.com/welcome)

4000 Series  
43PFT4002/05

# Quick start guide

**PHILIPS**

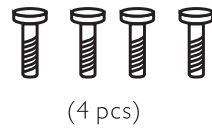
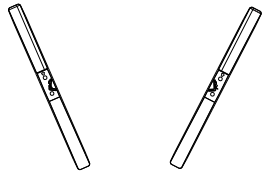
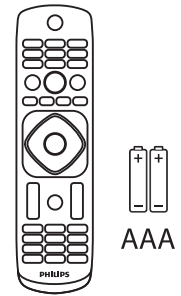
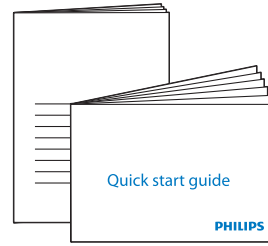
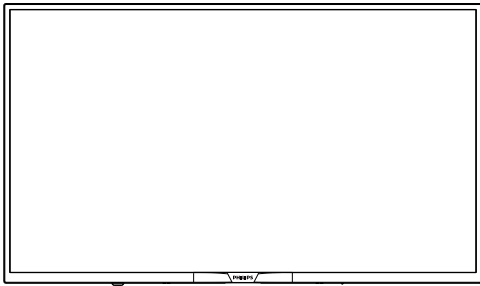
■ C:100 M:44 Y:0 K:0



Before using your product, read all accompanying safety information.  
(The relevant parameters of instructions are variable, without prior notice, if there is any discrepancy, please in accordance with actual object.)



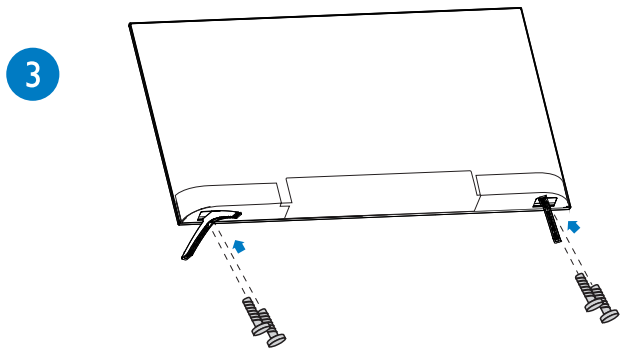
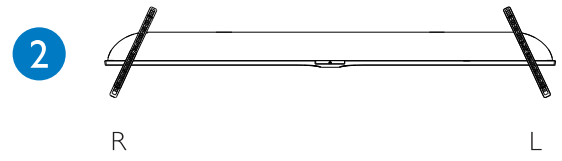
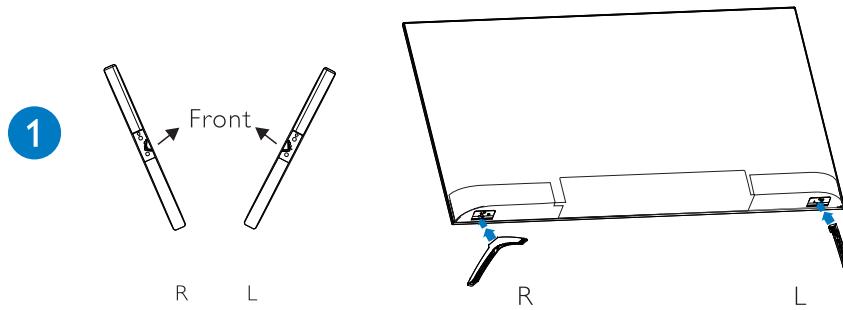
What's in the box



1

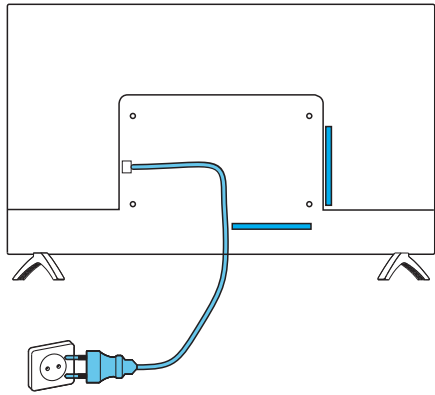


Mount the stand



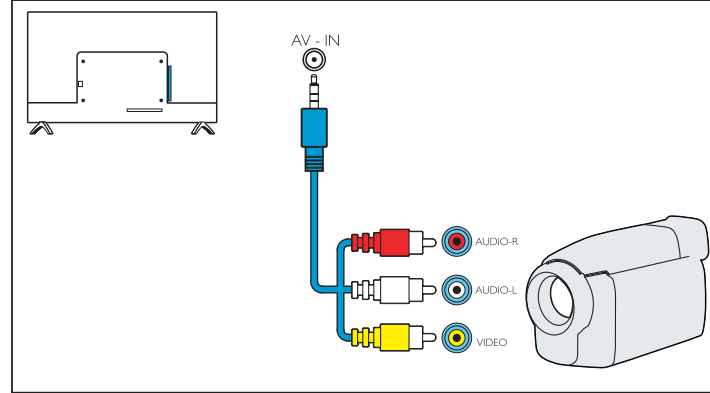
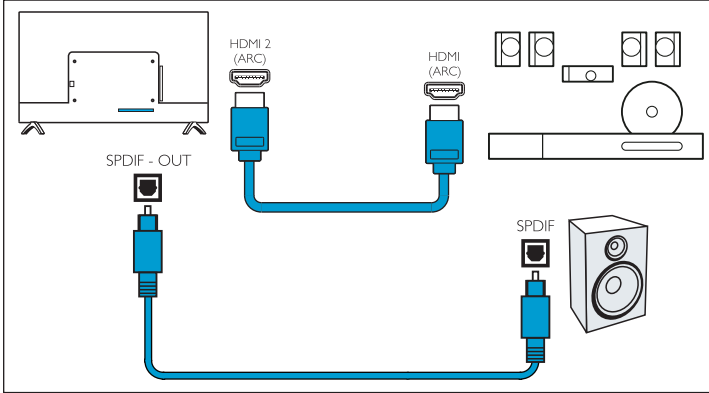
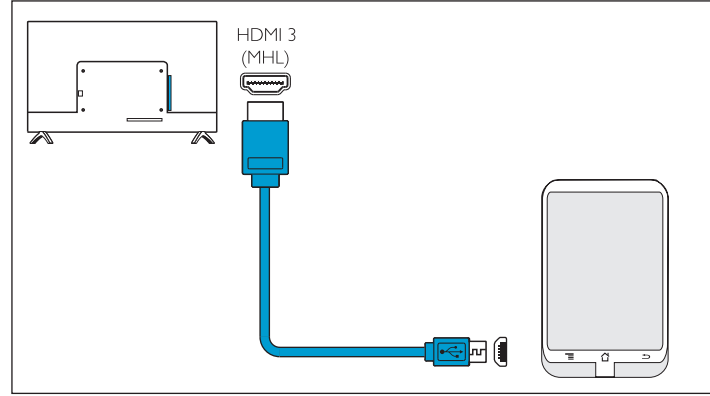
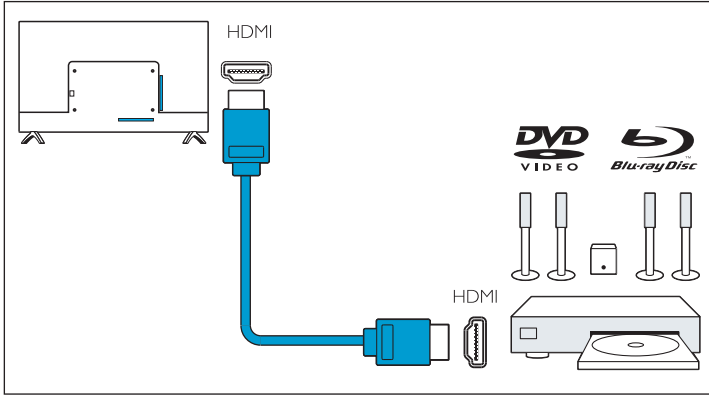
# 2

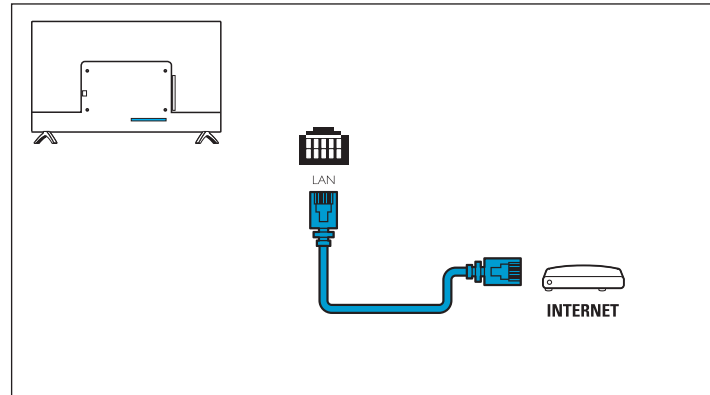
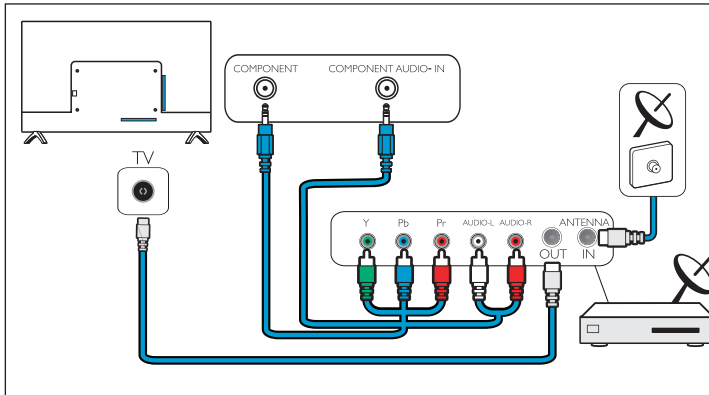
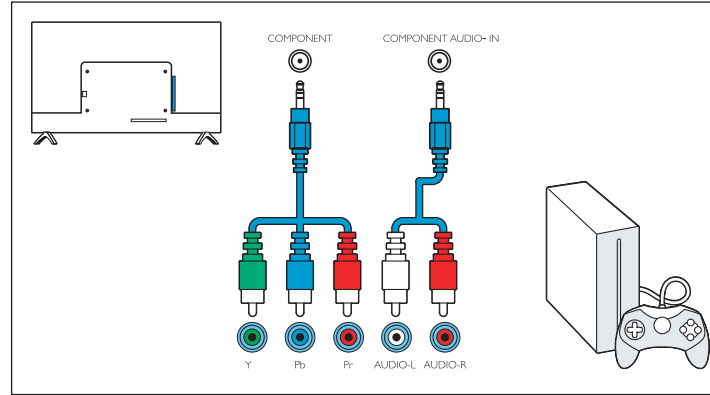
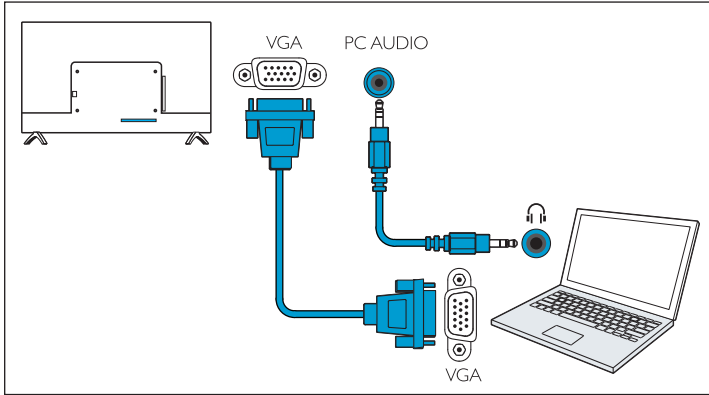
Connect



LAN    SPDIF - OUT    HDMI 1    HDMI 2 (ARC)    VGA    PC - AUDIO    TV

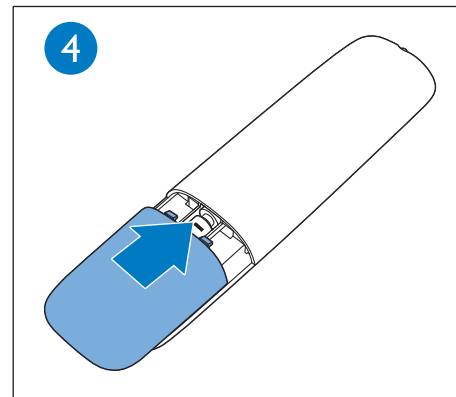
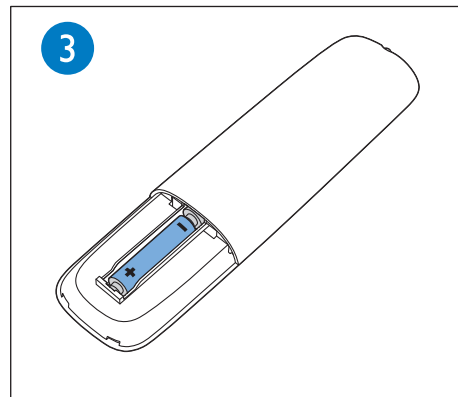
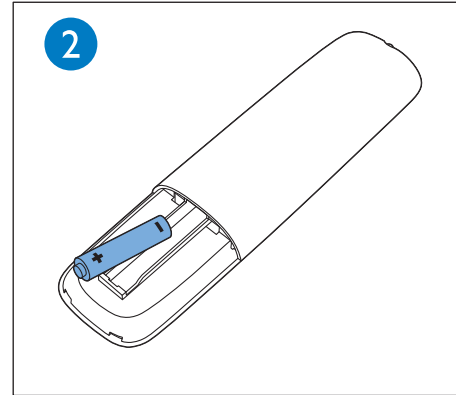
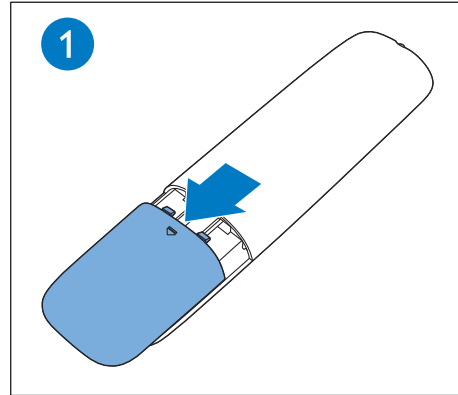
HEADPHONE    HDMI 3 (MHL)    COMPONENT    CI    AV - IN    COMPONENT AUDIO - IN    USB    RESET





# 3

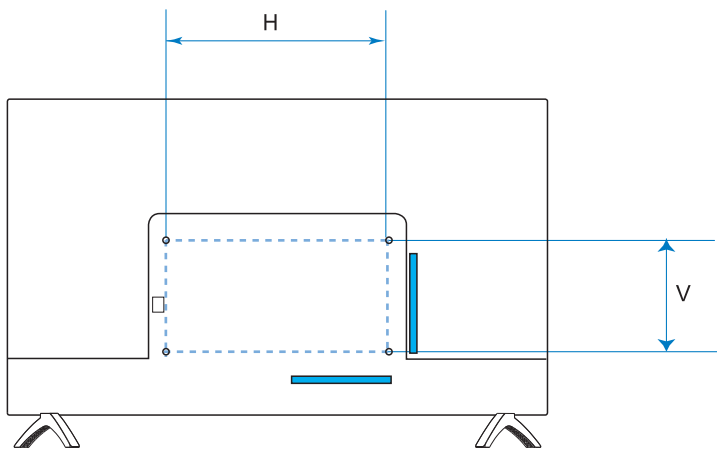
Insert batteries







To wall mount, purchase a suitable bracket.




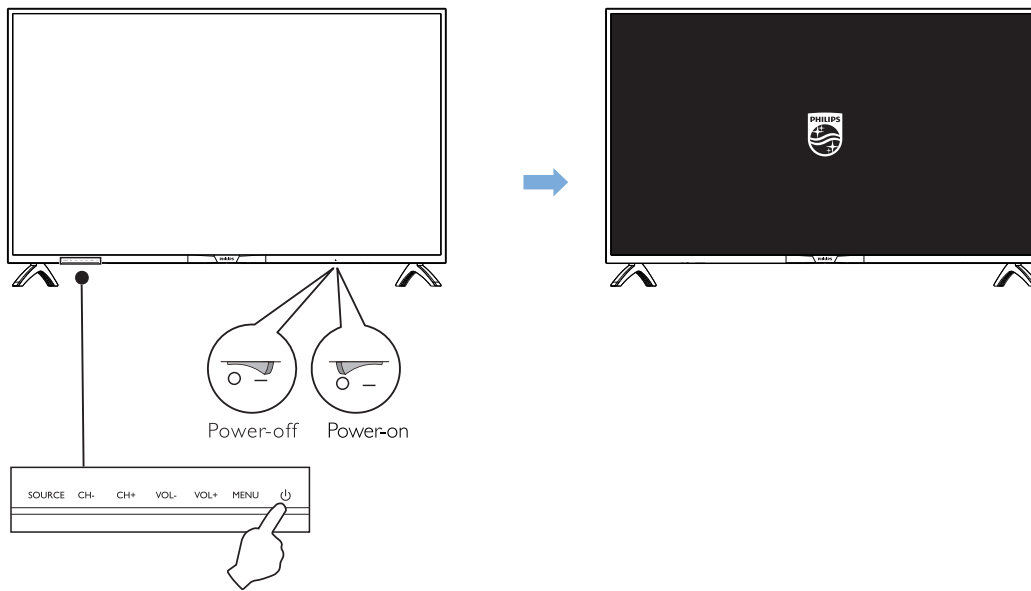
- a: Depth of the top VESA screw hole
- b: Depth of the bottom VESA screw hole

**Note:** The screw length depends on wall bracket.

TV	H	V
108 cm / 43"	400 mm	200 mm

# 4

If the indicator is off, please insert the TV power cord into a power outlet. Press the power switch to turn on the TV as shown in the figure. When the indicator is on, press the  key on the bottom panel of the TV or on the remote control to turn on the TV.





Please refer to the User's Manual and the Philips support website for more operating instructions.



73144300K3 102FLP11



All registered and unregistered trademarks are the property of their respective owners. Specifications are subject to change without notice.

Philips and the Philips' shield emblem are registered trademarks of Koninklijke Philips N.V. and are used under license from Koninklijke Philips N.V.

2017© TP Vision Netherlands B.V. All rights reserved.

